

## 26W Constant Current Blue -FLS Series

FLS-26-700 Blue LA-CSB

■ Approve  
**SELV** 

### ■ Features

- Class II, SELV, built-in
- Input Voltage 220-240VAC
- Protections: SCP/OLP/OVP/OTP
- Power Factor >0.95
- Efficiency ≥86%
- 5 years warranty

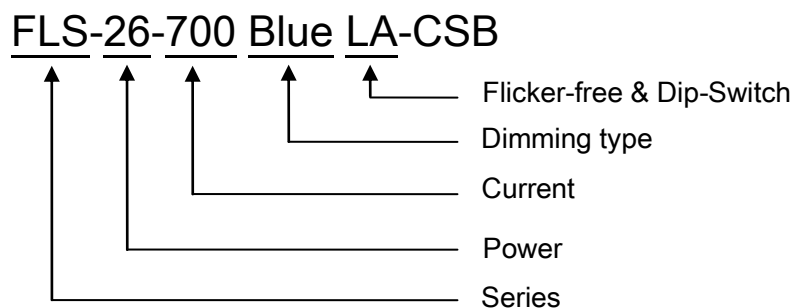
### ■ Applications(Typ.)

- LED strips
- Ceiling light
- Down light

### ■ Description

FLS-26-700 Blue LA-CSB is a 26W constant current LED driver with 150 to 700mA output current and a forward voltage range from 9 to 52Vdc. The output current is selectable by DIP Switch. With it's dimensions from 97 x 43 x 30mm it is easy to integrate in Ceiling light and down light products. To ensure trouble-free operation, protection is provided against output short circuit and over Load.

### ■ Model code



## 26W Constant Current Blue -FLS Series

FLS-26-700 Blue LA-CSB

### ■ Specification

Input	Rated input voltage	220-240VAC
	Range of input voltage	198-264VAC
	DC Rated input voltage	198-254VDC
	DC voltage range*Note.3	176-280VDC
	Frequency(Hz)	0/50/60 Hz
	Power Factor	> 0.95@220-240VAC, full load
	Input Current max	0.17A MAX. @Full Load,198VAC
	Start-up time	< 0.5S
	Stand-by power	≤0.5W
	Inrush Current	30A Max. /100μs@230V, Full Load , 50%Ipk-50%Ipk
	THD	<10% @ Full Load
	Leakage Current	< 0.7mA(240VAC)
	Output	Constant Current
Unload voltage Max.		60VDC
Voltage Range(VDC)		9-52VDC
Rated power		26W Max.
Current Accuracy		±5%@220-240VAC
Voltage Regulation		±5% @220-240VAC, full load
Load Regulation		±5%@220-240VAC
Hold-up Time		1s max.@Full Load
Ripple& Noise *Note.2		≤±3%@Full Load,230VAC
Output LF current ripple(<120Hz)		≤±3% @Full Load,230VAC
Efficiency(Typ.)		≥86%
Dimming	Dimming mode	Bluetooth
	Recommended Dimming controller	Casambi APP
	Dimming current range	5mA~100% , ON/OFF, Push
Protection	Over Load Protection	103-120% Protection type: Auto Resume
	Over Voltage Protection	> 60VDC Protection type: Auto Resume
	Short circuit Protection	Protection type: Auto Resume
	Over Temperature Protection	Protection type: Auto Resume
Environment	Operating Temperature	-25°C...+50°C
	Tc	85°C
	Storage Temperature	-25°C...+60°C
	Life time	> 50,000h@45°C
	Humidity	20%-95%RH
Others	Dimension(LXWXH)	97X43X30mm
Safety & EMC	Safety standards	EN 61347-1; EN61347-2-13; EN62384
	Withstand voltage	Input-Output : 3750V/5mA/1min
	Isolation resistance	Input-Output : ≥4MΩ@500VDC
	EMI	EN55015; EN61000-3-2 Class C; EN61000-3-3
	EMS	EN 61547; EN 61000-4-2; EN 61000-4-5 —1000V;
Note	1.All parameters NOT specially mentioned are measured at 240VAC input , full load and 25°C of ambient temperature. 2.Ripple & Noise are measured at 20MHz of bandwidth by using a 300mm twisted pair-wire terminated with a 0.1uF & 47 uF parallel capacitor. 3.The DC input for this product is only used for emergency lighting and applies to functional and safety requirements, EMC is not considered.	

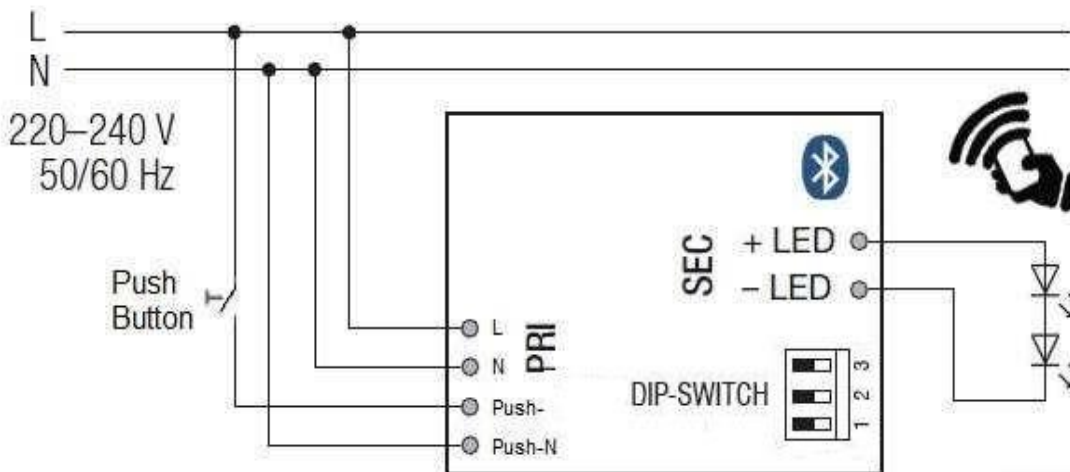
26W Constant Current Blue -FLS Series

FLS-26-700 Blue LA-CSB

■ Adjustable Output Current with dip-switch

Vo	Po	Io	1	2	3
9-52VDC	7.8W	150mA	--	--	--
9-52VDC	10.4W	200mA	ON	--	--
9-52VDC	13W	250mA	--	ON	--
9-52VDC	15.6W	300mA	ON	ON	--
9-52VDC	18.2W	350mA	--	--	ON
9-52VDC	26W	500mA	ON	--	ON
9-43VDC	25.8W	600mA	--	ON	ON
9-37VDC	25.9W	700mA	ON	ON	ON

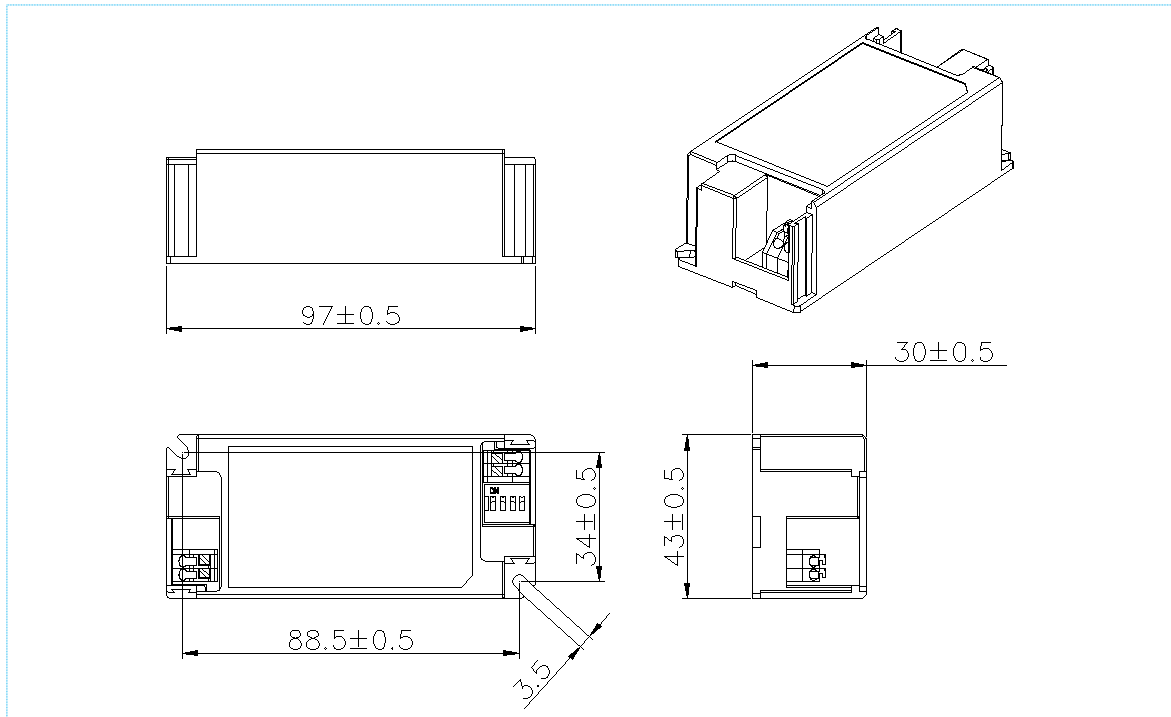
■ Wiring diagram



## 26W Constant Current Blue -FLS Series

FLS-26-700 Blue LA-CSB

### ■2D diagram



### ■Operating window

